

Attachment 1 – Landfill Design and Construction



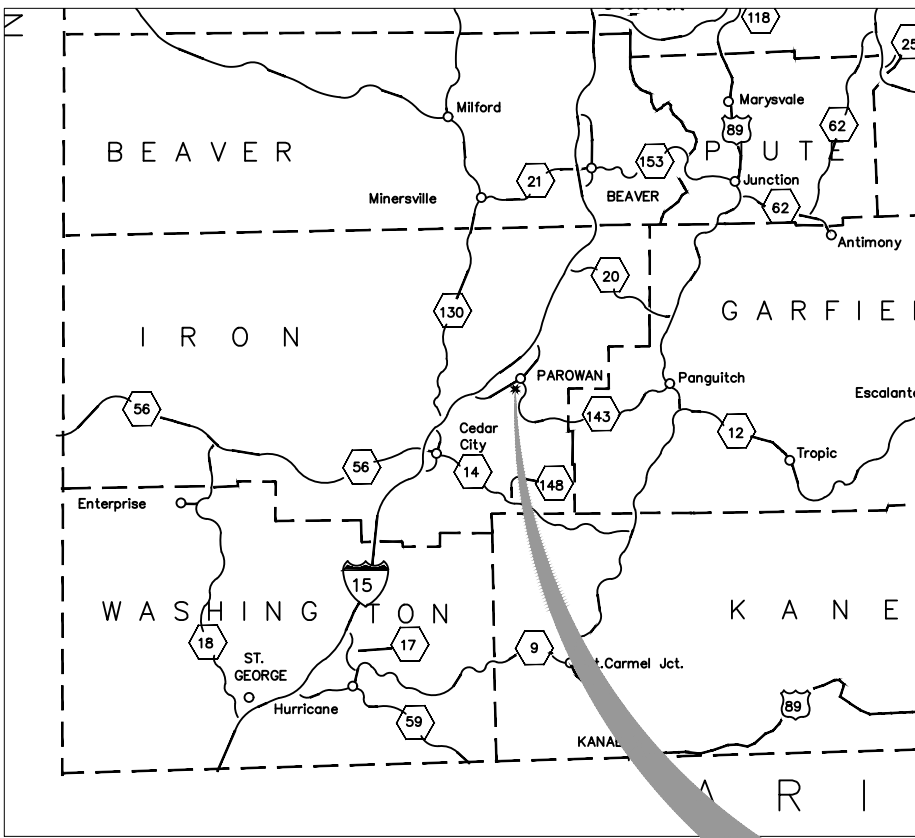
IRON COUNTY SOLID WASTE
3127 N IRON SPRINGS ROAD
CEDAR CITY, UT 84720
(435) 865-7015

CONSULTANTS



ideas for a changing world
2702 South 1030 West, Suite 10
Salt Lake City, Utah 84119
(801) 270-9400
www.igesinc.com

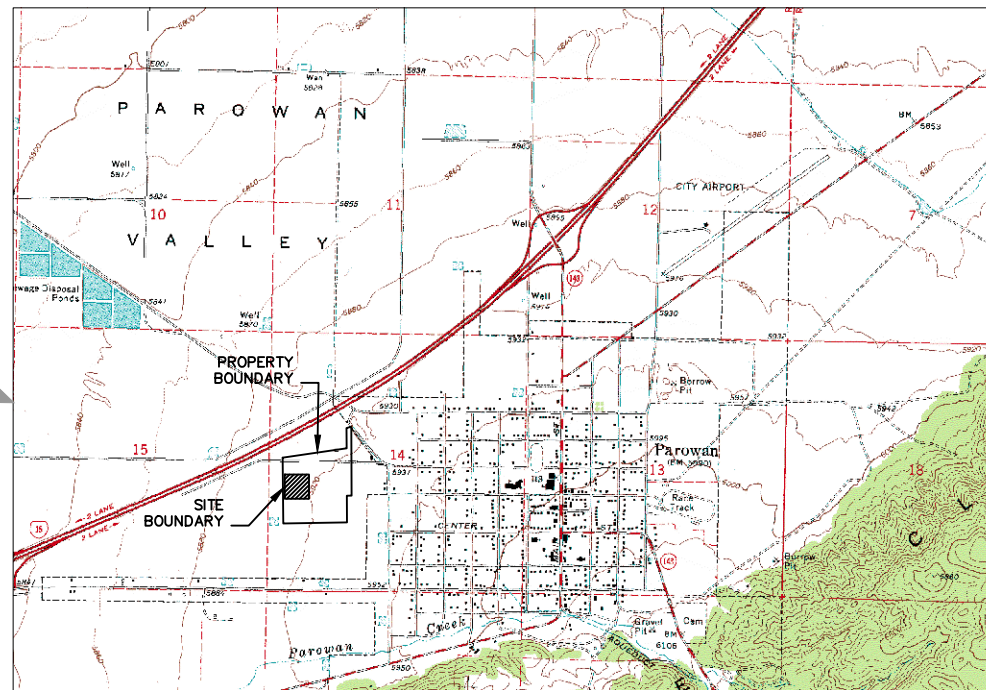
IRON COUNTY PAROWAN CLASS IV_b LANDFILL 2020 PERMIT RENEWAL



LOCATION MAP
(NOT TO SCALE)



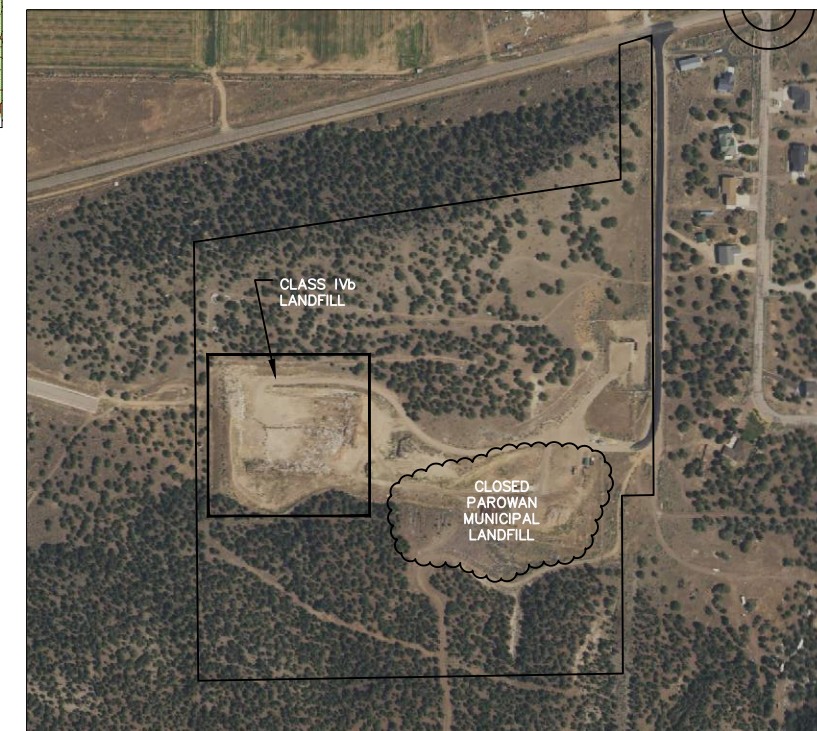
VICINITY MAP



0 1000 2000 4000
SCALE IN FEET



SITE MAP



0 150 300 600
SCALE IN FEET

PROPERTY BOUNDARY FROM SURVEY BY LESLIE AND ASSOCIATES (1999)

INDEX

- 1 TITLE SHEET
- 2 GENERAL ARRANGEMENT
- 3 LANDFILL PHASING
- 4 LANDFILL DEVELOPMENT
- 5 FINAL COVER
- 6 SECTION VIEW
- 7 DETAILS

MARK	DATE	DESCRIPTION
	8/1/20	2020 PERMIT RENEWAL

ISSUE:	

SHEET TITLE	
	PAROWAN CLASS IV _b
	TITLE SHEET



IRON COUNTY SOLID WASTE
 3127 N IRON SPRINGS ROAD
 CEDAR CITY, UT 84720
 (435) 865-7015

CONSULTANTS



ideas for a changing world

2702 South 1030 West, Suite 10
 Salt Lake City, Utah 84119
 (801) 270-9400
 www.igesinc.com



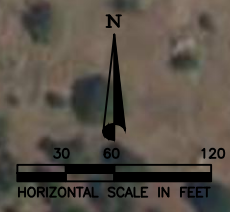
SCALEHOUSE

	8/1/20	2020 PERMIT RENEWAL
MARK	DATE	DESCRIPTION

ISSUE:		

SHEET TITLE
 PAROWAN CLASS IVb
**GENERAL
 ARRANGEMENT**

REFERENCES:
 BACKGROUND IMAGE: 2018 NATIONAL AERIAL IMAGERY PROGRAM (NAIP); UTAH AGRC
 EXISTING TOPOGRAPHY: ESTIMATED BASED ON SITE PHOTOGRAPHS (JUNE 2010)





IRON COUNTY SOLID WASTE
 3127 N IRON SPRINGS ROAD
 CEDAR CITY, UT 84720
 (435) 865-7015

CONSULTANTS



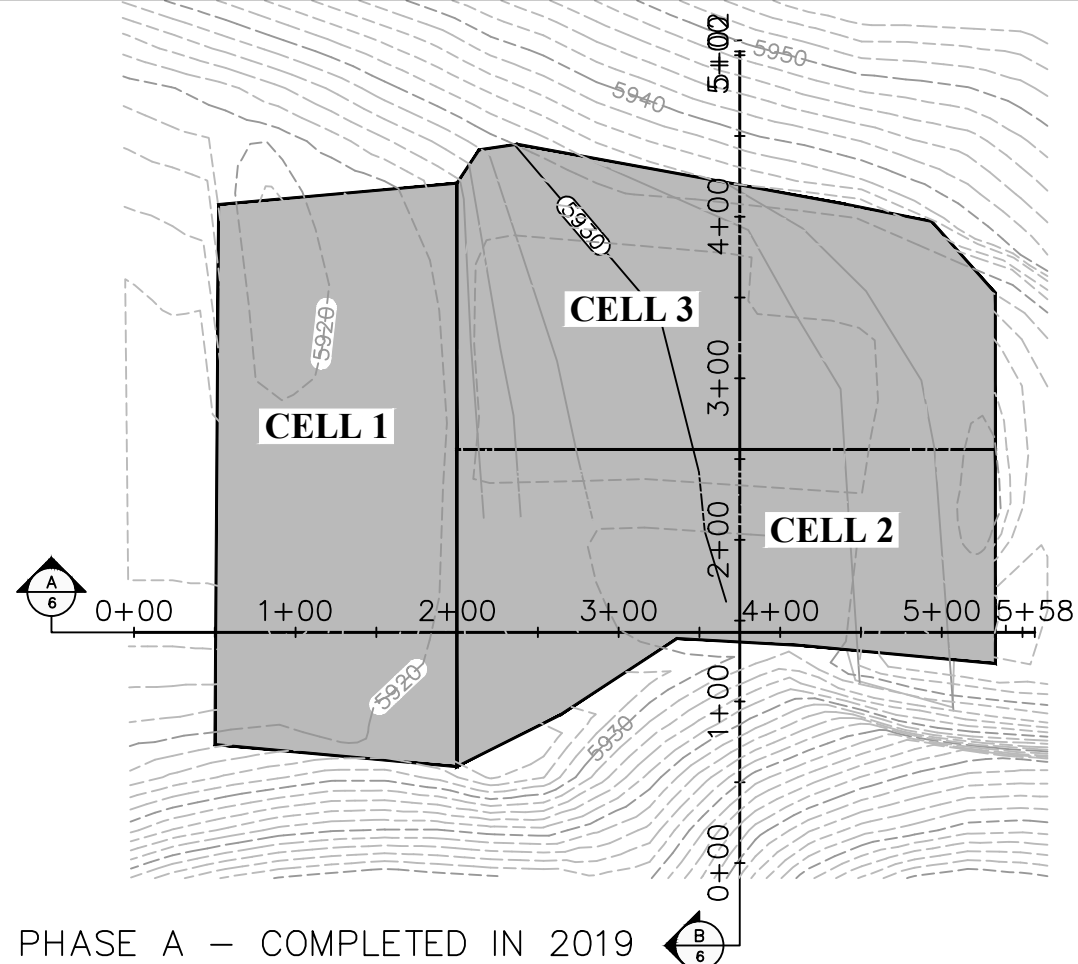
ideas for a changing world

2702 South 1030 West, Suite 10
 Salt Lake City, Utah 84119
 (801) 270-9400
 www.igesinc.com

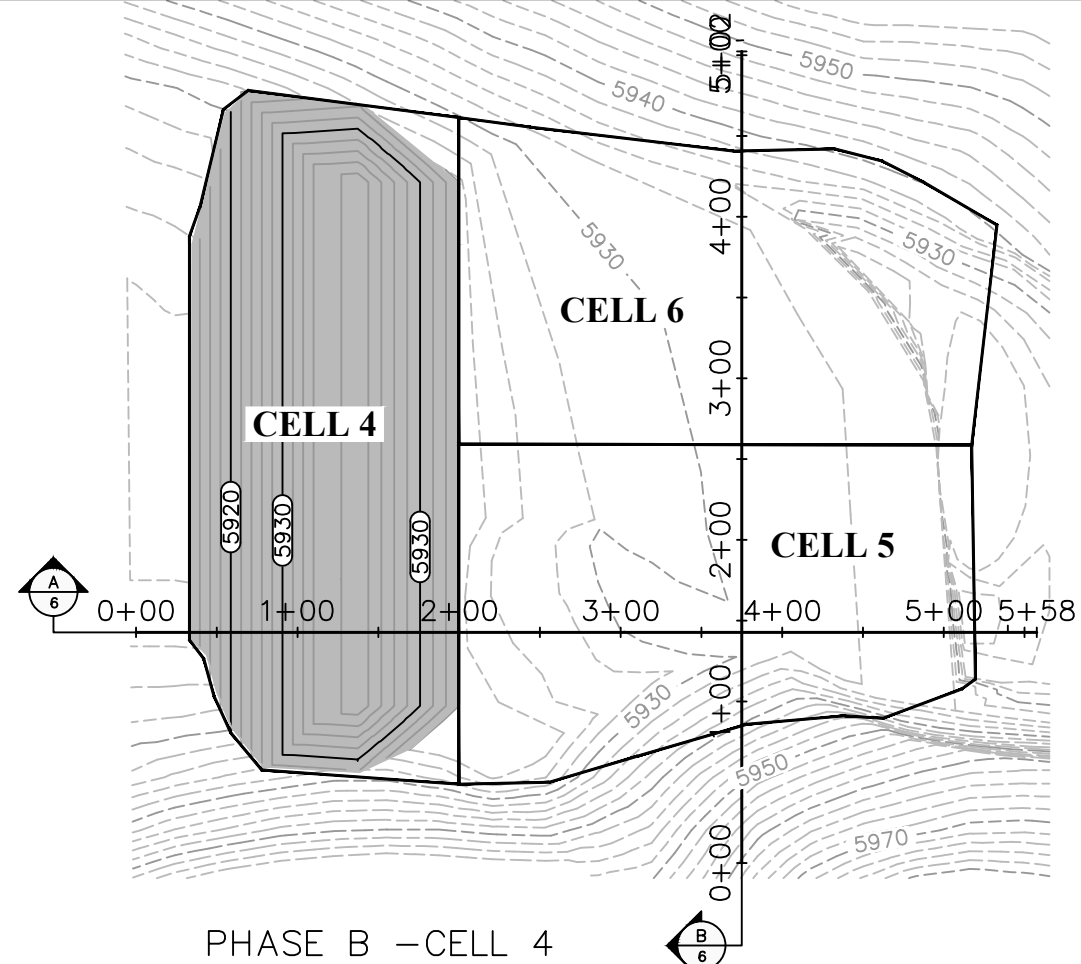
NOTES:
 REMAINING AIRSPACE (CYD)
 CELL 4: 33,800
 CELL 5: 27,040
 CELL 6: 49,755
 TOTAL: 110,595

MARK	DATE	DESCRIPTION
	8/1/20	2020 PERMIT RENEWAL

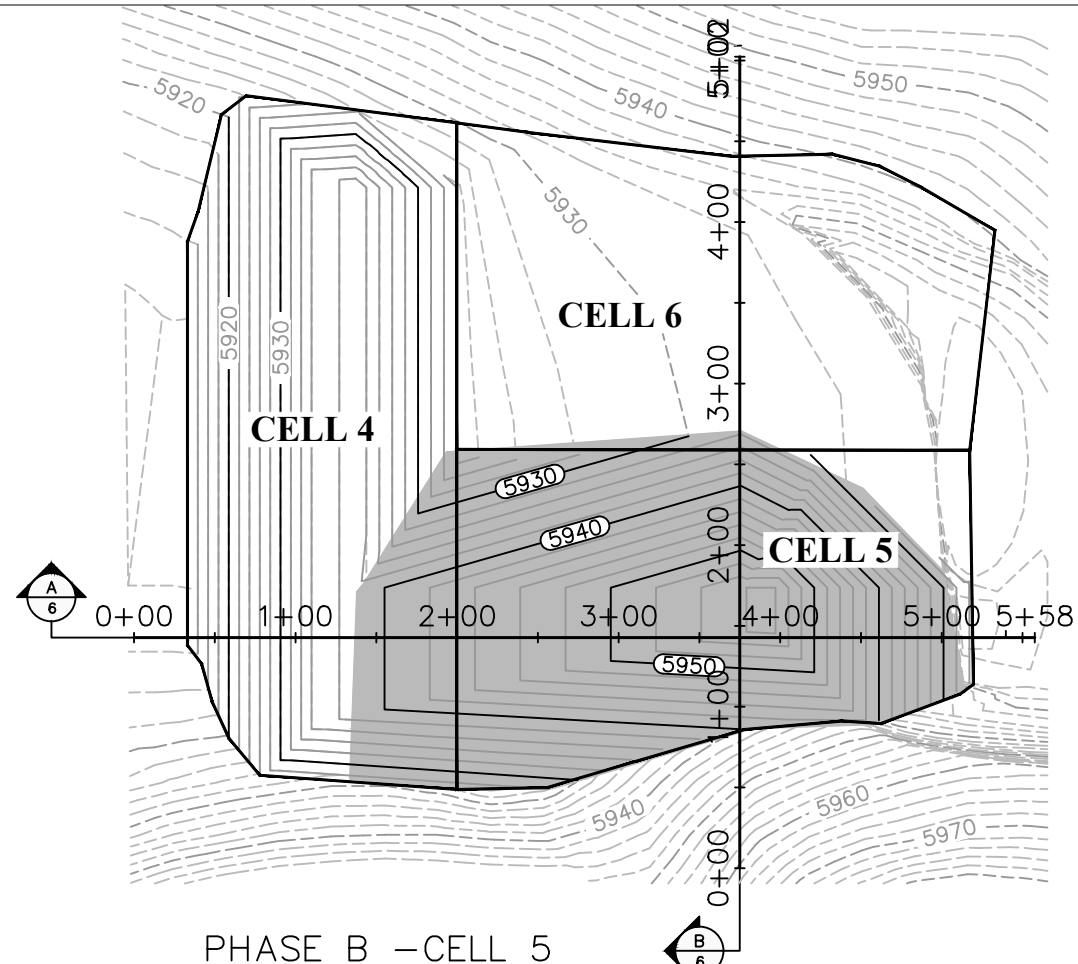
SHEET TITLE
 PAROWAN CLASS IVb
 LANDFILL
 DEVELOPMENT



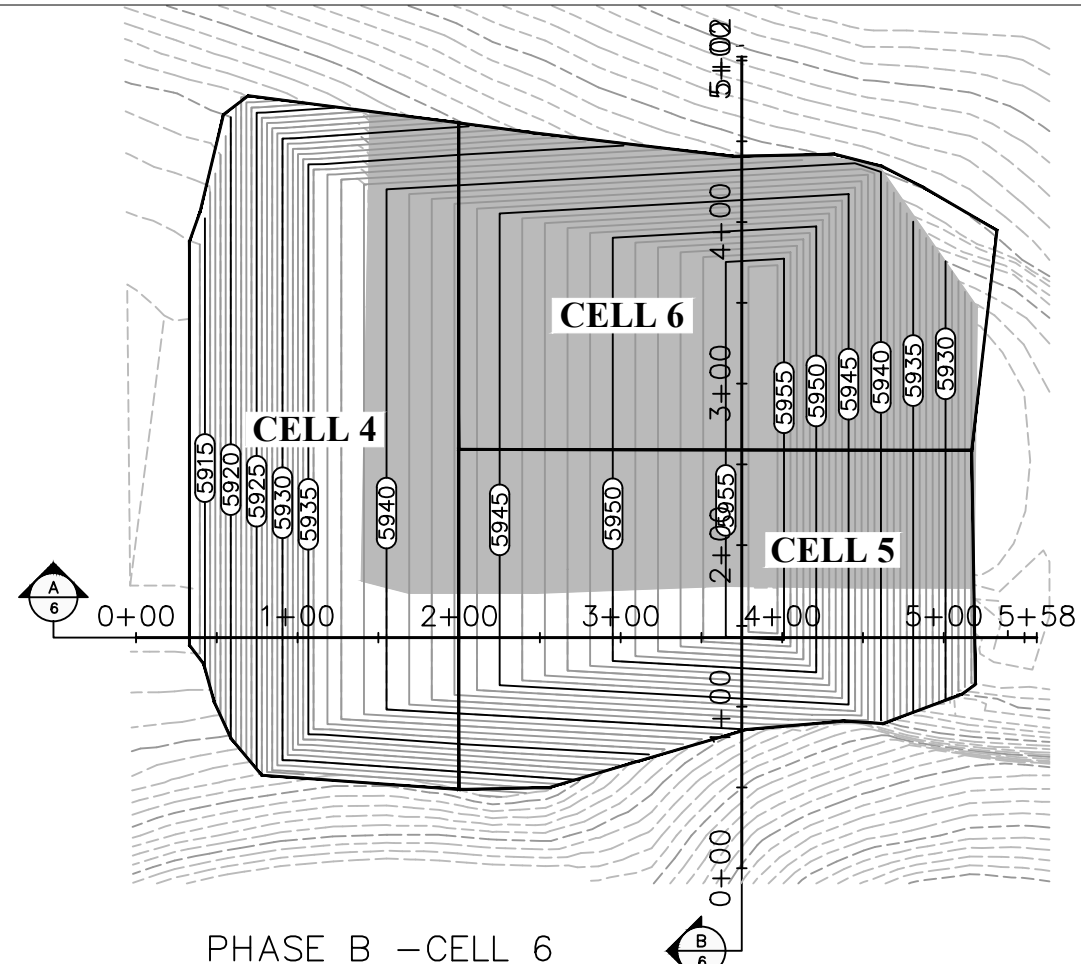
PHASE A – COMPLETED IN 2019



PHASE B – CELL 4



PHASE B – CELL 5



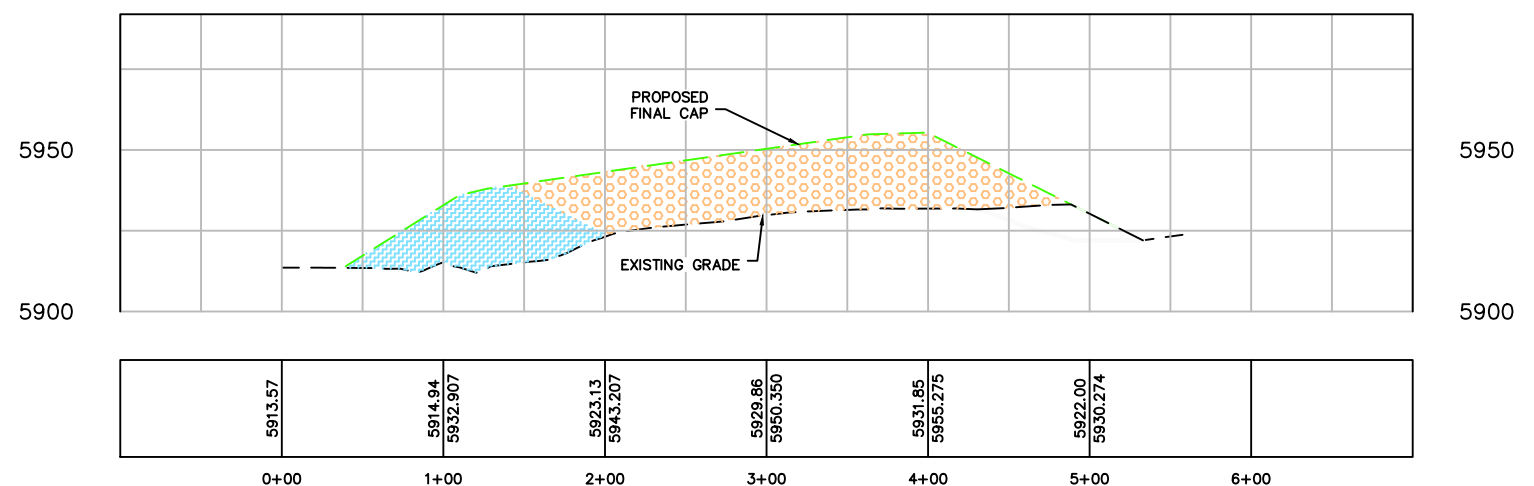
PHASE B – CELL 6



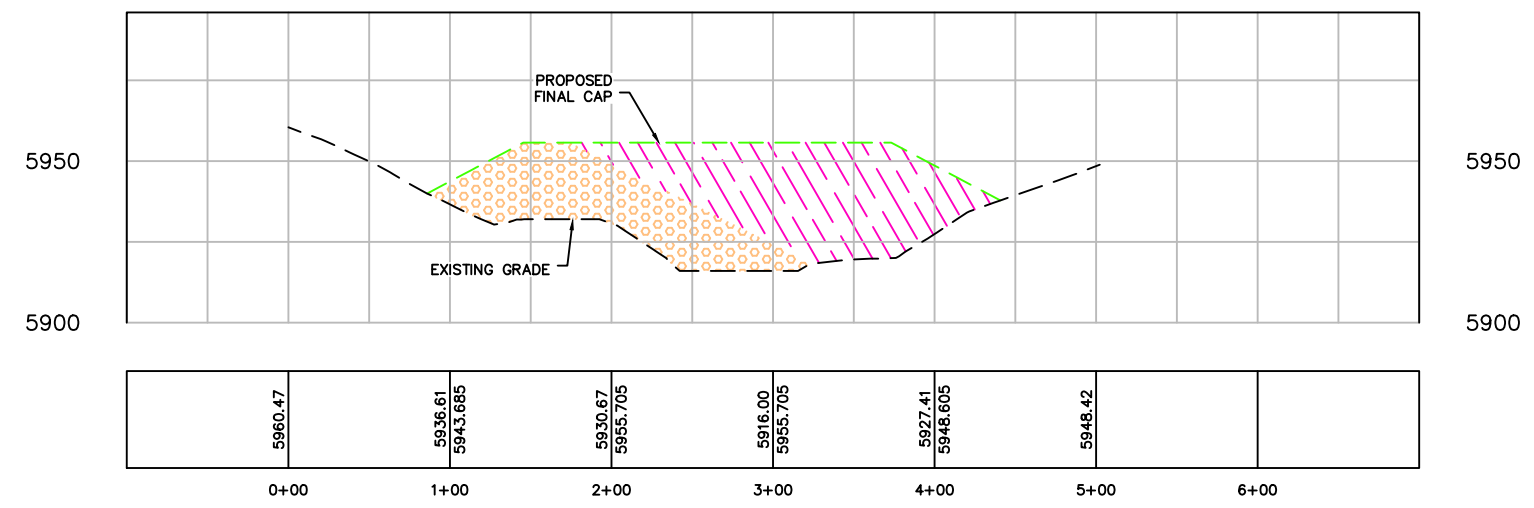
IRON COUNTY SOLID WASTE
 3127 N IRON SPRINGS ROAD
 CEDAR CITY, UT 84720
 (435) 865-7015



2702 South 1030 West, Suite 10
 Salt Lake City, Utah 84119
 (801) 270-9400
 www.igesinc.com



A
3-5 SECTION A (LOOKING NORTH)



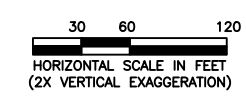
B
3-5 SECTION B (LOOKING WEST)

- CELL 4
- CELL 5
- CELL 6

MARK	DATE	DESCRIPTION
	8/1/20	2020 PERMIT RENEWAL

ISSUE:

SHEET TITLE
 PAROWAN CLASS IVb
SECTION VIEW





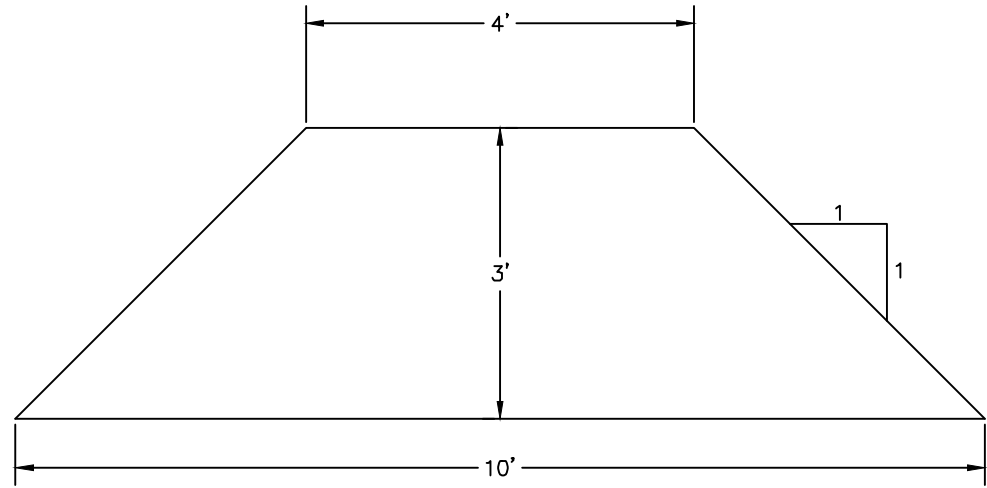
IRON COUNTY SOLID WASTE
 3127 N IRON SPRINGS ROAD
 CEDAR CITY, UT 84720
 (435) 865-7015

CONSULTANTS



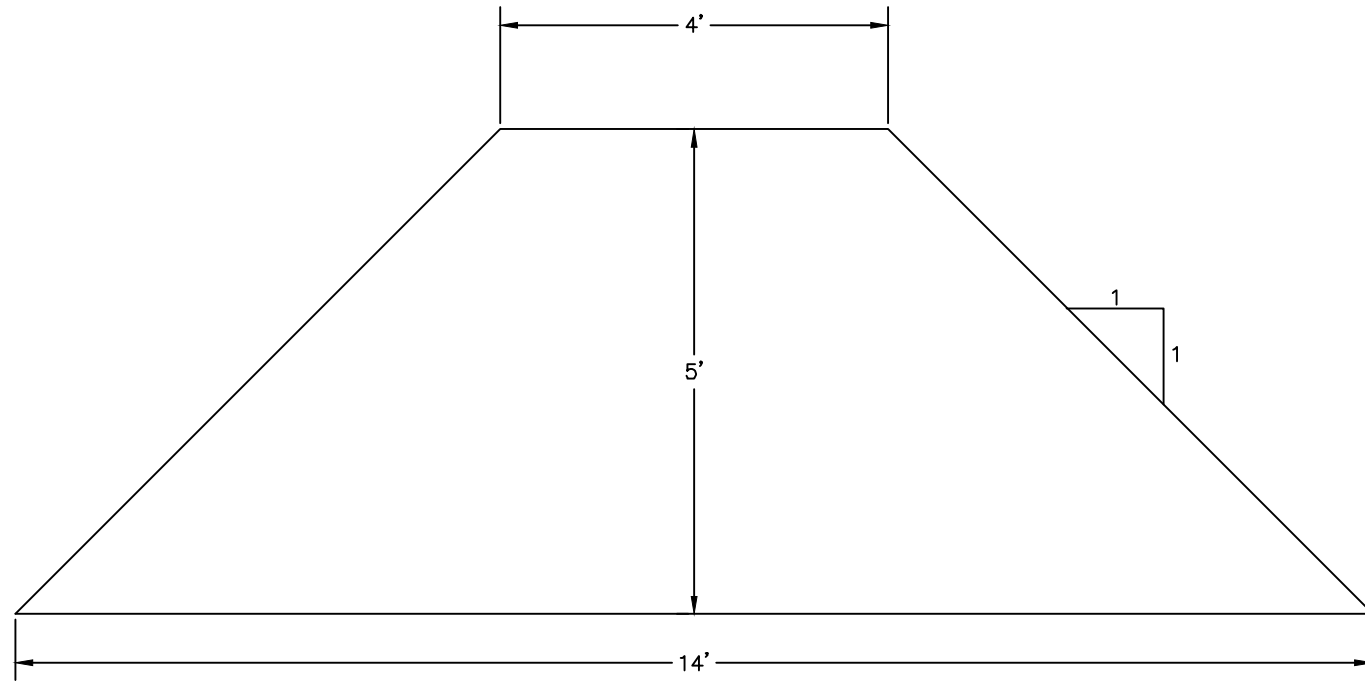
ideas for a changing world

2702 South 1030 West, Suite 10
 Salt Lake City, Utah 84119
 (801) 270-9400
 www.igesinc.com



DT-1
3

RUN-ON CONTROL BERM-TYPICAL CROSS SECTION



DT-2
3

RUN-OFF CONTROL BERM-TYPICAL CROSS SECTION

	8/1/20	2020 PERMIT UPDATE
MARK	DATE	DESCRIPTION

ISSUE:

SHEET TITLE
 PAROWAN CLASS IVb

DETAILS